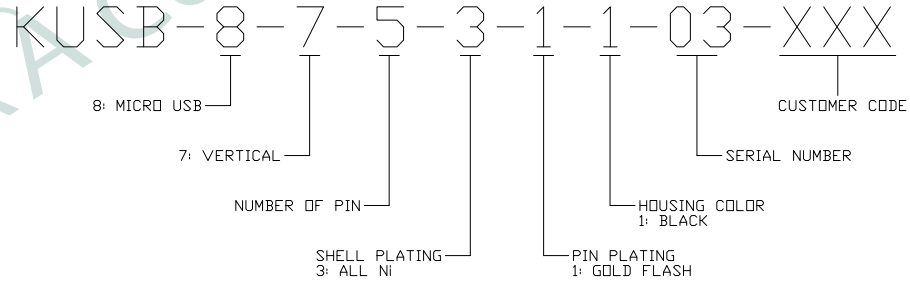
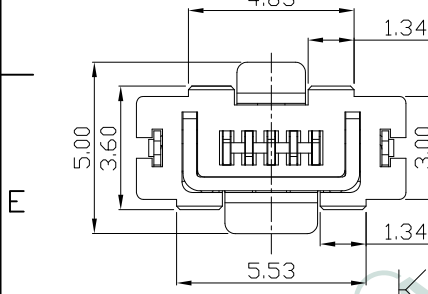
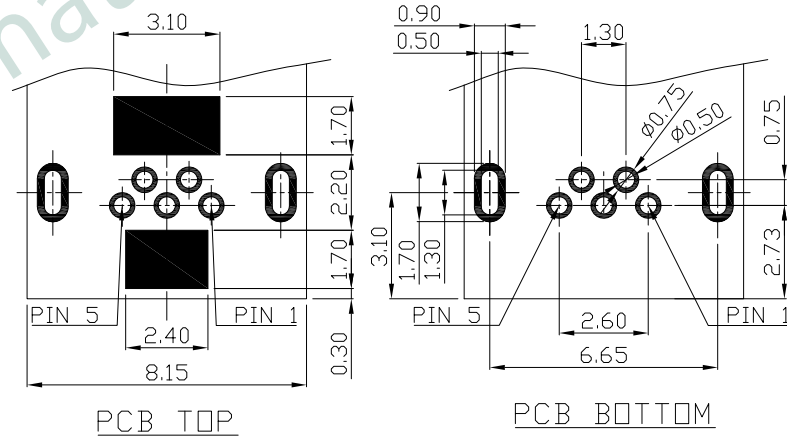
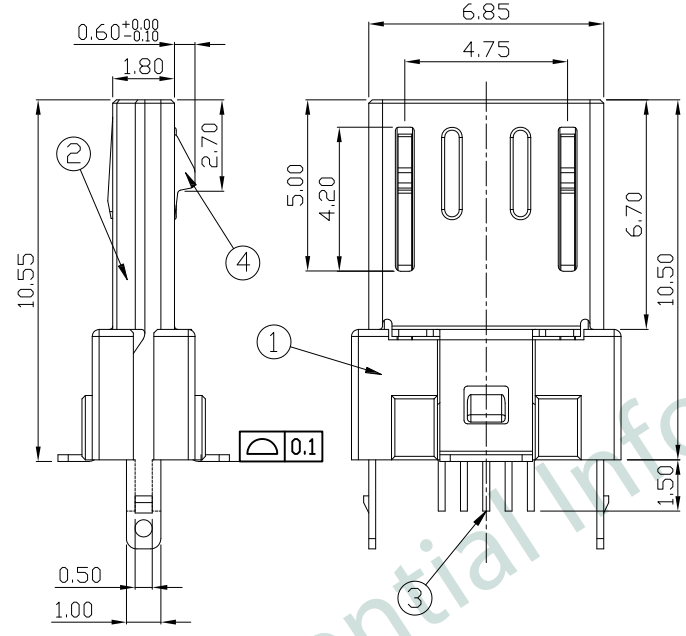
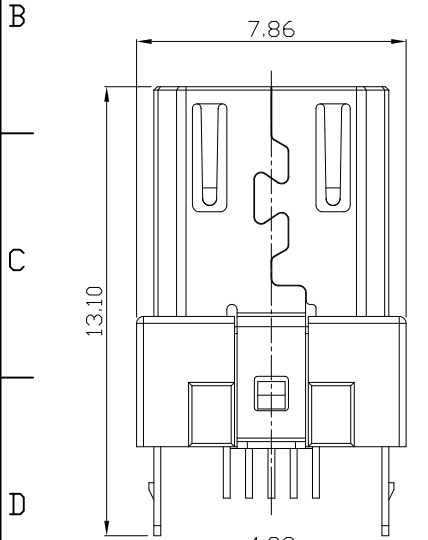


ITEM	PARTS NAME	Q'TY	MATERIAL	FINISH/REMARK
1	HOUSING	1	SYNTHETIC RESIN	BLACK
2	SHELL	1	STAINLESS	PLATING Ni: 20u"
3	CONTACT	5	COPPER ALLOY	CONTACT AREA: GOLD FLASH SOLDER TAILS: 100u" TIN BASE NICKEL: 30u"
4	LATCH	1	STAINLESS	NON PLATING

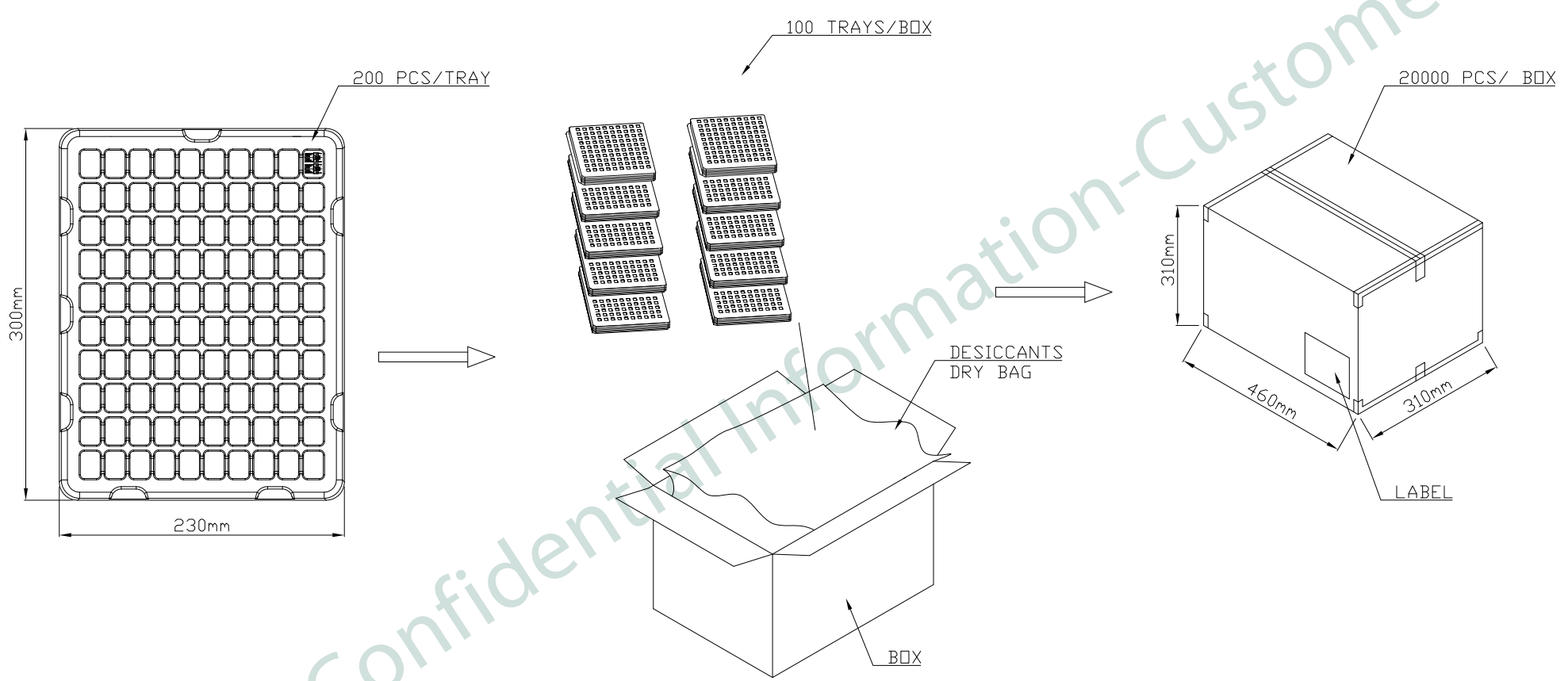
REV.	DATE	DESCRIPTION
01	Apr. 25, '19	1st RELEASE

- NOTES:
- MATERIAL: SEE DRAWING
  - ELECTRICAL:  
INSULATOR RESISTANCE: 100MΩ MIN. @ 500 VDC  
WITHSTANDING VOLTAGE: 100 VAC / MINUTE  
CONTACT RESISTANCE: 60mΩ MAX.
  - MECHANICAL:  
MATING FORCE: 35N(3.43KGF) MAX.  
UNMATING FORCE: 8N~20N(0.81~2.04KGF) MIN.  
DURABILITY: 10000 CYCLES MIN.  
CONTACT RETENTION FORCE: 2.1N(0.21KGF) MIN.
  - PACKING: 500PCS/BAG (REFERENCE)
  - UNSPECIFIED TOLERANCE: .XX ±0.20[0.008]  
.X ±0.30[0.012]

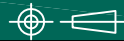


RECOMMENDED P.C.B LAYOUT  
TOLERANCE ±0.03mm

PART NO		KUSB-8-7-5-3-1-1-03-XXX		
TITLE	USB MICRO B(F), VERTICAL, 5PIN			
REV : 01				
UNIT	DRAWN	CHKD	DATE	SHEET
mm[inch]	CINDY	VINCENT	Apr, 25, '19	1 of 2



NOTES:  
 1. MATERIAL: PS, COLOR-WHITE  
 2. DEFORMATION & DAMAGE: NA.

 PART NO		KUSB-8-7-5-3-1-1-03-XXX		
TITLE	USB MICRO B(F), VERTICAL, 5PIN			
REV : 01				
UNIT	DRAWN	CHKD	DATE	SHEET
mm[inch]	CINDY	VINCENT	Apr, 25, '19	2 of 2